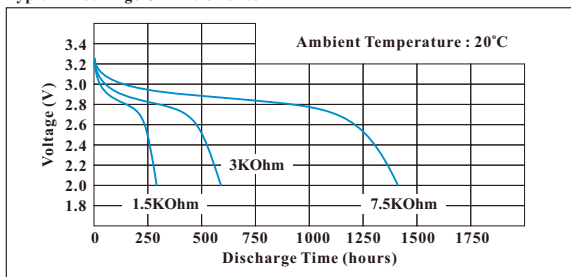


# LITHIUM BATTERY

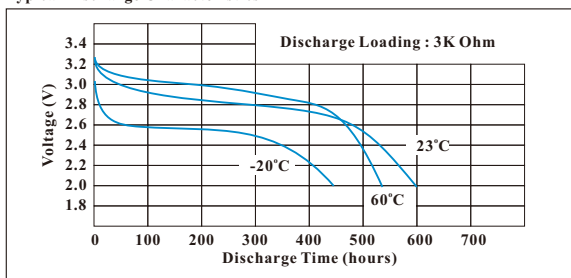
## SPECIFICATIONS

Model	:	CR2450
Description	:	Lithium Coin Cell (LiMnO <sub>2</sub> ), Mercury Free
Nominal Capacity	:	550mAh at 30K Ohm continuous discharge
Nominal Voltage	:	3.0 V
Cut-Off Voltage	:	2.0 V
Weight	:	6.2 g
Self-Life	:	3 years ex-factory
Recommended Drain	:	Pulse - 15mA Standard - 0.5mA Low - 0.004mA
Service Life	:	1400 hrs at 7.5K Ohm continuous discharge 600 hrs at 3K Ohm continuous discharge
Application	:	Memory Backup, Electronic Watches, Calculators, Cameras, Electronic Translators, Low Power Cordless Application

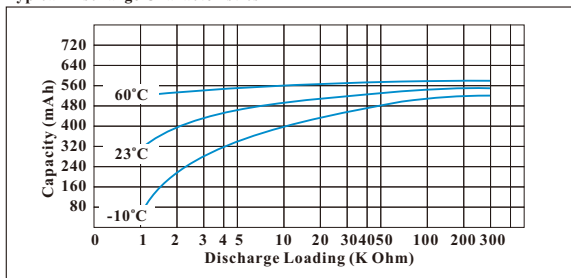
Typical Discharge Characteristics



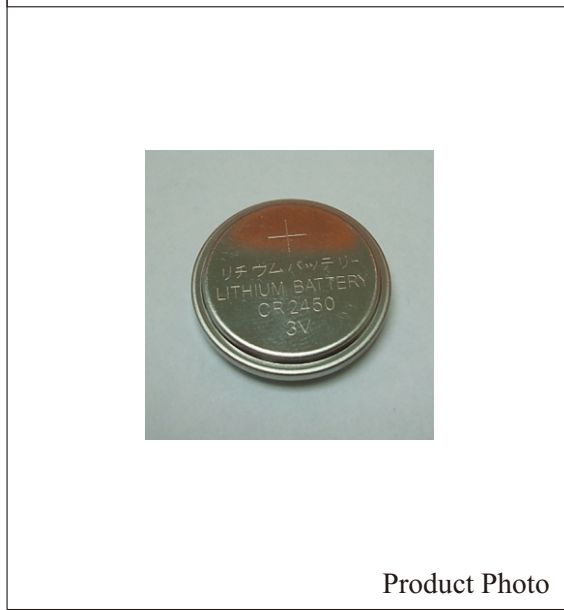
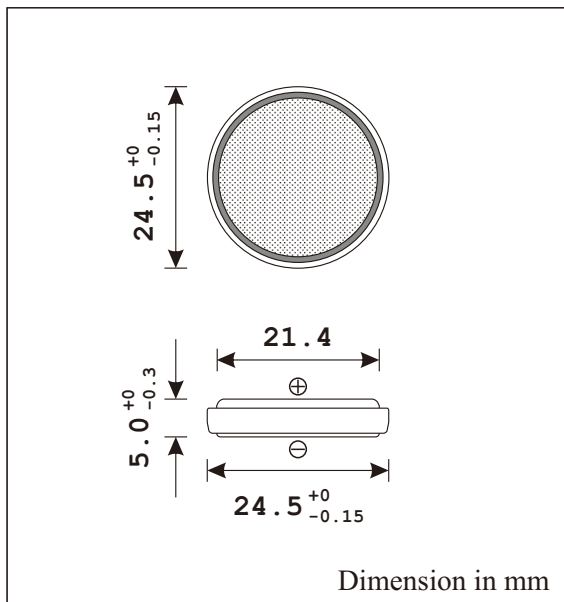
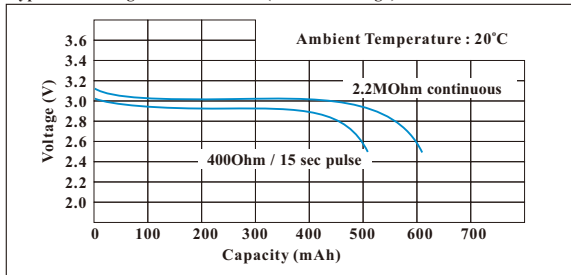
Typical Discharge Characteristics



Typical Discharge Characteristics



Typical Discharge Characteristics (Pulse Discharge)



Information is for references only.